

# ORMOND EDITIONS

## ROMANE PENDANT



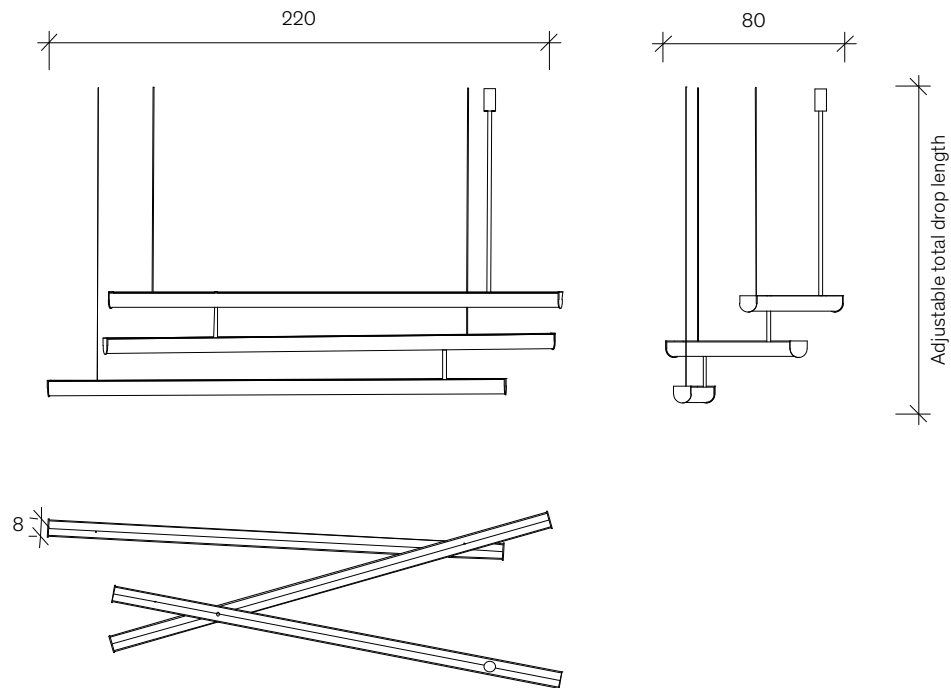
Geneva  
Zurich

Rue de la Synagogue 34  
Obmannamtsgasse 19  
+41 22 310 11 44  
info@ormond-editions.com  
www.ormond-editions.com

Last updated: 18 April 2019

# ORMOND EDITIONS

## ROMANE PENDANT

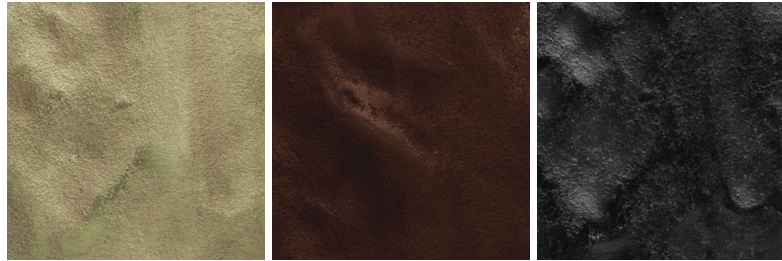


Design	Garnier & Linker for Ormond Editions
Finish	Lost-wax cast and patinated bronze in black, brown, gold or white. Steel cables / brass tube
Dimensions	W 220, D 80 cm, adjustable total drop length Number of modules and length bespoke upon request
Weight	50 kg LED. External LED power supply provided. Each piece is signed.

Geneva Rue de la Synagogue 34  
Zurich Obmannamtsgasse 19  
+41 22 310 11 44  
info@ormond-editions.com  
www.ormond-editions.com

# ORMOND EDITIONS

## SAMPLES



Bronze

Gold / Brown / Black

Geneva  
Zurich

Rue de la Synagogue 34  
Obmannamtsgasse 19  
+41 22 310 11 44  
info@ormond-editions.com  
www.ormond-editions.com